

PARTS LIST

CAUTION

- The parts identified by the \triangle symbol are important for the safety . Whenever replacing these parts, be sure to use specified ones to secure the safety .
- The parts not indicated in this Parts List and those which are filled with lines --- in the Parts No. columns will not be supplied .
- P. W. Board Ass'y will not be supplied, but those which are filled with the Parts No. in the Parts No. columns will be supplied .

ABBREVIATIONS OF RESISTORS, CAPACITORS AND TOLERANCES

RESISTORS		CAPACITORS	
C R	Carbon Resistor	C CAP.	Ceramic Capacitor
F R	Fusible Resistor	E CAP.	Electrolytic Capacitor
P R	Plate Resistor	M CAP.	Mylar Capacitor
V R	Variable Resistor	HV CAP.	High Voltage Capacitor
HV R	High Voltage Resistor	MF CAP.	Metalized Film Capacitor
MF R	Metal Film Resistor	MM CAP.	Metalized Mylar Capacitor
MG R	Metal Glazed Resistor	MP CAP.	Metalized Polystyrol Capacitor
MP R	Metal Plate Resistor	PP CAP.	Polypropylene Capacitor
OM R	Metal Oxide Film Resistor	PS CAP.	Polystyrol Capacitor
CMF R	Coating Metal Film Resistor	TF CAP.	Thin Film Capacitor
UNF R	Non-Flammable Resistor	MPP CAP.	Metalized Polypropylene Capacitor
CH V R	Chip Variable Resistor	TAN. CAP.	Tantalum Capacitor
CH MG R	Chip Metal Glazed Resistor	CH C CAP.	Chip Ceramic Capacitor
COMP. R	Composition Resistor	BP E CAP.	Bi-Polar Electrolytic Capacitor
LPTC R	Linear Positive Temperature Coefficient Resistor	CH AL E CAP.	Chip Aluminum Electrolytic Capacitor
		CH AL BP CAP.	Chip Aluminum Bi-Polar Capacitor
		CH TAN. E CAP.	Chip Tantalum Electrolytic Capacitor
		CH AL BP E CAP.	Chip Tantalum Bi-Polar Electrolytic Capacitor

RESISTORS									
F	G	J	K	M	N	R	H	Z	P
±1%	±2%	±5%	±10%	±20%	±30%	+30% -10%	+50% -10%	+80% -20%	+100% 0%

CONTENTS

USING P.W. BOARD & REMOTE CONTROL UNIT	34
EXPLODED VIEW PARTS LIST	34
EXPLODED VIEW	35
PRINTED WIRING BOARD PARTS LIST	
MAIN PW BOARD ASS'Y	36
DAF PW BOARD ASS'Y	39
CRT SOCKET PW BOARD ASS'Y	39
FRONT PW BOARD ASS'Y	40
POWER SW PW BOARD ASS'Y	40
LF PW BOARD ASS'Y	41
PIP PW BOARD ASS'Y	41
AV SW PW BOARD ASS'Y	41
3D Y/C MODULE PW BOARD ASSY	42
REMOTE CONTROL UNIT PARTS LIST (RM-C301G-1A)	42
PACKING / PACKING PARTS LIST	43

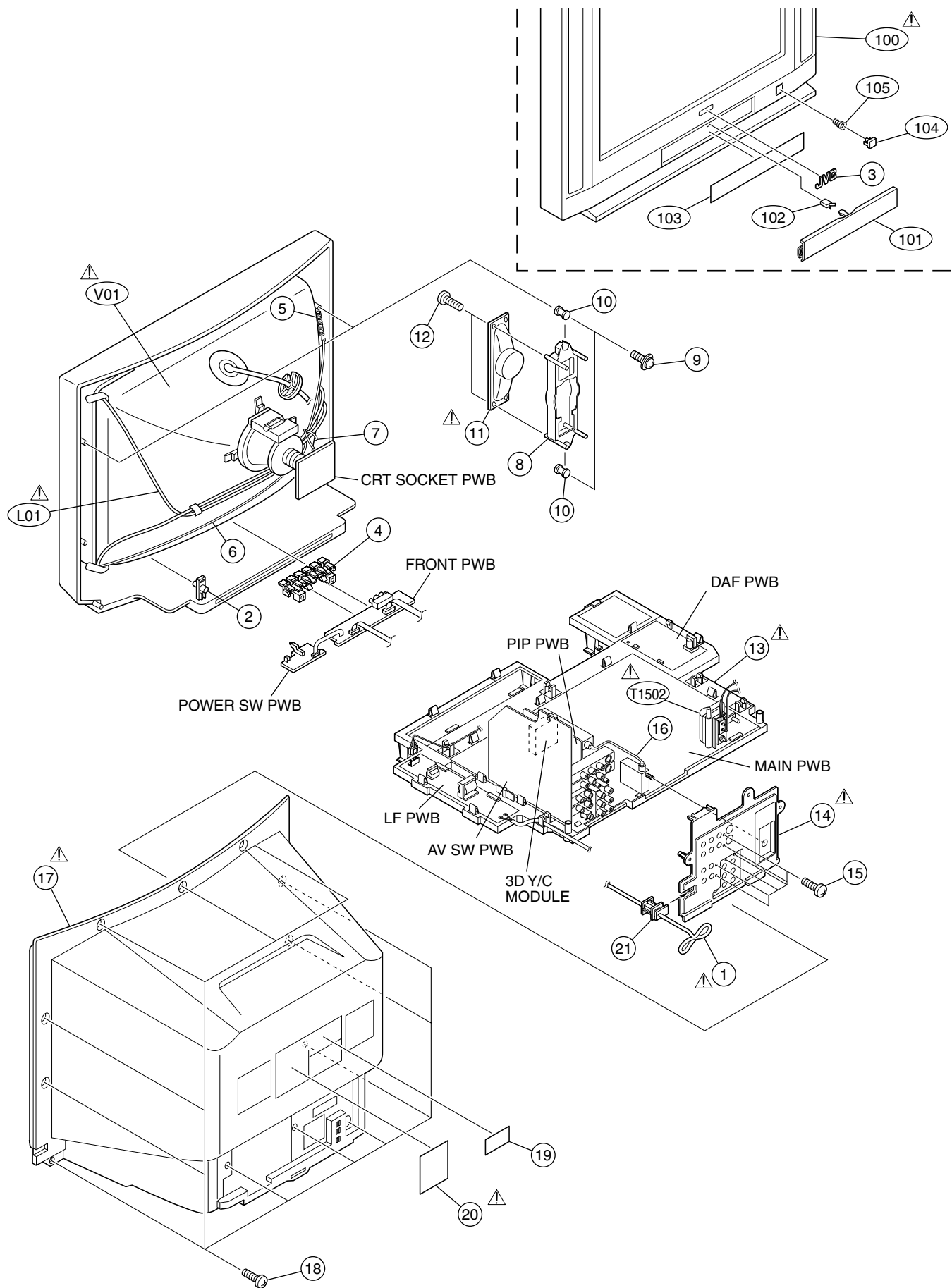
USING P.W. BOARD & REMOTE CONTROL UNIT

P.W.B ASS'Y	Model	AV-27F802
MAIN PW BOARD		SAC-1501A-M2
DAF PW BOARD		SAC-2601A-M2
CRT SOCKET PW BOARD		SAC-3501A-M2
FRONT PW BOARD		SAC-8501A-M2
POWER SW PW BOARD		SAC-8601A-M2
LF PW BOARD		SAC-9501A-M2
PIP PW BOARD		SAC0P501A-M2
AV SW PW BOARD		SAC0S501A-M2
3D Y/C MODULE PW BOARD		SAC-0Y501A
REMOTE CONTROL UNIT		RM-C301G-1A

EXPLODED VIEW PARTS LIST

△ Ref.No.	Part No.	Part Name	Description	Local
△ L01	QQW0090-001	DEG COIL		
△ T1502	QQH0084-001	FBT	Within MAIN PWB	
△ V01	A68QCP891X001	CRT	Inc. DY	
△ 1	QMPD200-200-JC	POWER CORD	CN90PW Within LF PWB	
2	LC30191-003A-A	REMOCON WINDOW		
3	CM48006-008-C	JVC MARK		
4	LC20217-004A-A	CONTROL KNOB		
5	A48457-4-S	SPRING		
6	WJY0016-001A	BRAIDED WIRE		
7	WJY0013-003A	BRAIDED WIRE		
8	LC20629-001A-A	S.P HOLDER		
9	LC40317-001A	TAPPING SCREW	(x4)	
10	LC40226-001A	SPACER		
△ 11	CEBSS12D-04KJ2	SPEAKER	(x2) SP01, SP02	
12	QYSBSB4012Z	TAPPING SCREW	(x4)	
△ 13	LC10883-001C-A	CHASSIS BASE		
△ 14	LC20626-001C-A	TERMINAL BOARD		
15	QYSBSB3010Z	TAPPING SCREW	(x6)	
16	CHGY0031-0C	ANT CABLE ASSY		
△ 17	LC10880-001C-A	REAR COVER		
18	QYSBSFG4016Z	TAPPING SCREW	(x12)	
19	LC30684-005A-A	BBE LABEL		
△ 20	LC31139-001A-A	RATING LABEL		
21	LC20106-001D-A	CORD CLAMP		
△ 100	LC10878-001A-A	FRONT CABI ASSY	Inc. No. 101-105	
101	LC20628-001A-A	DOOR		
102	CM48229-00A-C	DOOR LATCH		
103	LC31238-001A-A	OPERATION SHEET		
104	LC31237-001A-A	POWER KNOB		
105	CM36481-002A-A	SPRING		

EXPLODED VIEW



PRINTED WIRING BOARD PARTS LIST**MAIN PW BOARD ASS'Y (SAC-1501A-M2)**

△ Symbol No.	Part No.	Part Name	Description	Local	△ Symbol No.	Part No.	Part Name	Description	Local
RESISTOR					RESISTOR				
R1001	NRSA63J-333X	MG R	33kΩ 1/16W J		R1501	NRSA63J-0R0X	MG R	0.0Ω 1/16W J	
R1002	NRSA63J-102X	MG R	1kΩ 1/16W J		R1502	NRSA63J-271X	MG R	270Ω 1/16W J	
R1003-04	NRSA63J-0R0X	MG R	0.0Ω 1/16W J		R1503	QRE121J-103Y	C R	10kΩ 1/2W J	
R1011	NRSA63J-820X	MG R	82Ω 1/16W J		R1504	QRL039J-122	OM R	1.2kΩ 3W J	
R1012	NRSA63J-182X	MG R	1.8kΩ 1/16W J		R1505	QRL039J-152	OM R	1.5kΩ 3W J	
R1013	NRSA63J-562X	MG R	5.6kΩ 1/16W J		R1507	QRF074J-2R0	UNF R		
R1014	QRE121J-101Y	C R	100Ω 1/2W J		R1511	QRE121J-220Y	C R	22Ω 1/2W J	
R1015	NRSA63J-180X	MG R	18Ω 1/16W J		R1512	QRE121J-681Y	C R	680Ω 1/2W J	
R1016	NRSA63J-270X	MG R			R1513	QRL039J-273	OM R	27kΩ 3W J	
R1018-19	NRSA63J-104X	MG R	100kΩ 1/16W J		R1522	NRSA63J-221X	MG R	220Ω 1/16W J	
R1020	NRSA63J-332X	MG R	3.3kΩ 1/16W J		R1523	QRJ146J-333X	C R	33kΩ 1/4W J	
R1021	NRSA63J-333X	MG R	33kΩ 1/16W J		△ R1525	QRZ9011-470	F R		
R1022	NRSA63J-331X	MG R	330Ω 1/16W J		△ R1526	QRE121J-272Y	C R	2.7kΩ 1/2W J	
R1023	NRSA63J-101X	MG R	100Ω 1/16W J		R1527	QRE121J-154Y	C R	150kΩ 1/2W J	
R1024	NRSA63J-102X	MG R	1kΩ 1/16W J		R1528	QRE121J-124Y	C R	120kΩ 1/2W J	
R1025	NRSA63J-561X	MG R	560Ω 1/16W J		R1529	NRSA63J-331X	MG R	330Ω 1/16W J	
R1026	NRSA63J-331X	MG R	330Ω 1/16W J		△ R1531	QRJ146J-391X	C R	390Ω 1/4W J	
R1028	NRSA63J-821X	MG R	820Ω 1/16W J		R1532	NRSA63J-273X	MG R	27kΩ 1/16W J	
R1029	NRSA63J-333X	MG R	33kΩ 1/16W J		R1533-34	NRSA63J-123X	MG R	12kΩ 1/16W J	
R1030	NRSA63J-683X	MG R	68kΩ 1/16W J		△ R1535	NRVA02D-242X	MF R	2.4kΩ 1/10W D	
R1038	NRSA63J-272X	MG R	2.7kΩ 1/16W J		△ R1537	NRZ0032-7151X	MF R		
R1039	NRSA63J-0R0X	MG R	0.0Ω 1/16W J		R1538	NRSA63J-333X	MG R	33kΩ 1/16W J	
R1041	NRSA63J-272X	MG R	2.7kΩ 1/16W J		R1543	QRE121J-122Y	C R	1.2kΩ 1/2W J	
R1042-43	NRSA63J-102X	MG R	1kΩ 1/16W J		R1544	QRE121J-392Y	C R	3.9kΩ 1/2W J	
R1044-46	NRSA63J-0R0X	MG R	0.0Ω 1/16W J		R1545	QRE121J-822Y	C R	8.2kΩ 1/2W J	
R1047	NRSA63J-153X	MG R	15kΩ 1/16W J		R1546	NRSA63J-331X	MG R	330Ω 1/16W J	
R1048	NRSA63J-154X	MG R	150kΩ 1/16W J		R1547	NRSA63J-104X	MG R	100kΩ 1/16W J	
R1101-02	NRSA63J-101X	MG R	100Ω 1/16W J		R1548	QRE121J-821Y	C R	820Ω 1/2W J	
R1111	NRSA63J-105X	MG R	1MΩ 1/16W J		R1553	QRL039J-390	OM R	39Ω 3W J	
R1131	NRSA63J-272X	MG R	2.7kΩ 1/16W J		R1601-06	NRSA63J-750X	MG R	75Ω 1/16W J	
R1132	NRSA63J-153X	MG R	15kΩ 1/16W J		R1607-09	NRSA63J-332X	MG R	3.3kΩ 1/16W J	
R1133	NRSA63J-683X	MG R	68kΩ 1/16W J		R1651-52	NRSA63J-0R0X	MG R	0.0Ω 1/16W J	
R1134	NRSA63J-562X	MG R	5.6kΩ 1/16W J		R1700-02	NRSA63J-102X	MG R	1kΩ 1/16W J	
R1135-39	NRSA63J-102X	MG R	1kΩ 1/16W J		R1704-05	NRSA63J-472X	MG R	4.7kΩ 1/16W J	
R1140	NRSA63J-562X	MG R	5.6kΩ 1/16W J		R1706-07	NRSA63J-103X	MG R	10kΩ 1/16W J	
R1155	NRSA63J-223X	MG R	22kΩ 1/16W J		R1708-09	NRSA63J-101X	MG R	100Ω 1/16W J	
R1156	NRSA63J-562X	MG R	5.6kΩ 1/16W J		R1711	NRSA63J-0R0X	MG R	0.0Ω 1/16W J	
R1201	NRSA63J-333X	MG R	33kΩ 1/16W J		R1714	NRSA63J-102X	MG R	1kΩ 1/16W J	
R1231	NRSA63J-182X	MG R	1.8kΩ 1/16W J		R1715	NRSA63J-103X	MG R	10kΩ 1/16W J	
R1237	NRSA63J-392X	MG R	3.9kΩ 1/16W J		R1721-22	NRSA63J-102X	MG R	1kΩ 1/16W J	
R1238	NRSA63J-473X	MG R	47kΩ 1/16W J		R1724-28	NRSA63J-102X	MG R	1kΩ 1/16W J	
R1241	NRSA63J-332X	MG R	3.3kΩ 1/16W J		R1729	NRSA63J-223X	MG R	22kΩ 1/16W J	
R1243	NRSA63J-152X	MG R	1.5kΩ 1/16W J		R1731-32	NRSA63J-101X	MG R	100Ω 1/16W J	
R1281	NRSA63J-182X	MG R	1.8kΩ 1/16W J		R1733-34	NRSA63J-272X	MG R	2.7kΩ 1/16W J	
R1282	NRSA63J-682X	MG R	6.8kΩ 1/16W J		R1737	NRSA63J-153X	MG R	15kΩ 1/16W J	
R1283	NRSA63J-681X	MG R	680Ω 1/16W J		R1738	NRSA63J-102X	MG R	1kΩ 1/16W J	
R1286	NRSA63J-472X	MG R	4.7kΩ 1/16W J		R1739	NRSA63J-0R0X	MG R	0.0Ω 1/16W J	
R1287	NRSA63J-101X	MG R	100Ω 1/16W J		R1740	NRSA63J-103X	MG R	10kΩ 1/16W J	
R1288	NRSA63J-271X	MG R	270Ω 1/16W J		R1741	NRSA63J-0R0X	MG R	0.0Ω 1/16W J	
R1289	NRSA63J-154X	MG R	150kΩ 1/16W J		R1742-43	NRSA63J-103X	MG R	10kΩ 1/16W J	
R1292	NRSA63J-124X	MG R	120kΩ 1/16W J		R1744	NRSA63J-333X	MG R	33kΩ 1/16W J	
R1293	NRSA63J-224X	MG R	220kΩ 1/16W J		R1745	NRSA63J-0R0X	MG R	0.0Ω 1/16W J	
R1301-03	NRSA63J-222X	MG R	2.2kΩ 1/16W J		R1748	NRSA63J-103X	MG R	10kΩ 1/16W J	
R1304-06	NRSA63J-101X	MG R	100Ω 1/16W J		R1749-51	NRSA63J-222X	MG R	2.2kΩ 1/16W J	
R1318	NRSA63J-472X	MG R	4.7kΩ 1/16W J		R1752	NRSA63J-102X	MG R	1kΩ 1/16W J	
R1319	NRSA63J-101X	MG R	100Ω 1/16W J		R1753	NRSA63J-0R0X	MG R	0.0Ω 1/16W J	
R1354-55	NRSA63J-0R0X	MG R	0.0Ω 1/16W J		R1754	NRSA63J-332X	MG R	3.3kΩ 1/16W J	
R1356	NRSA63J-123X	MG R	12kΩ 1/16W J		R1755	NRSA63J-393X	MG R	39kΩ 1/16W J	
R1359	NRSA63J-103X	MG R	10kΩ 1/16W J		R1756	NRSA63J-103X	MG R	10kΩ 1/16W J	
R1360	NRSA63J-0R0X	MG R	0.0Ω 1/16W J		R1762	NRSA63J-102X	MG R	1kΩ 1/16W J	
R1401	NRSA63J-822X	MG R	8.2kΩ 1/16W J		R1763	NRSA63J-103X	MG R	10kΩ 1/16W J	
R1403	QRX01GJ-1R0	MF R	1.0Ω 1W J		R1764-68	NRSA63J-221X	MG R	220Ω 1/16W J	
R1404	QRE121J-100Y	C R	10Ω 1/2W J		R1769-70	NRSA63J-682X	MG R	6.8kΩ 1/16W J	
R1405	NRSA63J-103X	MG R	10kΩ 1/16W J		R1772	NRSA63J-103X	MG R	10kΩ 1/16W J	
R1407	NRSA02J-0R0X	MG R	0.0Ω 1/10W J		R1774	NRSA63J-682X	MG R	6.8kΩ 1/16W J	
R1411-12	NRSA63J-103X	MG R	10kΩ 1/16W J		R1775	NRSA63J-563X	MG R	56kΩ 1/16W J	
R1414	QRL029J-221	OM R	220Ω 2W J		R1776	NRSA63J-272X	MG R	2.7kΩ 1/16W J	
R1417	QRE121J-180Y	C R	18Ω 1/2W J		R1777	NRSA63J-103X	MG R	10kΩ 1/16W J	
R1431	QRE121J-272Y	C R	2.7kΩ 1/2W J		R1778	NRSA63J-682X	MG R	6.8kΩ 1/16W J	
R1432	NRSA63J-104X	MG R	100kΩ 1/16W J		R1790	NRSA63J-273X	MG R	27kΩ 1/16W J	
R1433	NRSA63J-473X	MG R	47kΩ 1/16W J		R1791	NRSA63J-683X	MG R	68kΩ 1/16W J	
R1434	NRSA63J-822X	MG R	8.2kΩ 1/16W J		R1792	NRSA63J-103X	MG R	10kΩ 1/16W J	
R1435	NRSA63J-682X	MG R	6.8kΩ 1/16W J		R1793-95	NRSA63J-331X	MG R	330Ω 1/16W J	
R1440	NRSA63J-101X	MG R	100Ω 1/16W J		R1798-99	NRSA63J-103X	MG R	10kΩ 1/16W J	
R1441	NRSA63J-103X	MG R	10kΩ 1/16W J		R1800	NRSA63J-103X	MG R	10kΩ 1/16W J	

△ Symbol No.	Part No.	Part Name	Description	Local
RESISTOR				
R1806	NRSA63J-102X	MG R	1kΩ 1/16W J	
R1810	NRSA63J-0R0X	MG R	0.0Ω 1/16W J	
R1811	NRSA63J-473X	MG R	47kΩ 1/16W J	
R1812	NRSA63J-102X	MG R	1kΩ 1/16W J	
R1814	NRSA63J-104X	MG R	100kΩ 1/16W J	
R1815	NRSA63J-154X	MG R	150kΩ 1/16W J	
R1816	NRSA63J-0R0X	MG R	0.0Ω 1/16W J	
R1817	NRSA63J-104X	MG R	100kΩ 1/16W J	
R1821	NRSA63J-104X	MG R	100kΩ 1/16W J	
R1824	NRSA63J-103X	MG R	10kΩ 1/16W J	
R1827	NRSA63J-102X	MG R	1kΩ 1/16W J	
R1857	QRG029J-330	OM R	33Ω 2W J	
R1858	QRG029J-180	OM R	18Ω 2W J	
R1860	NRSA63J-562X	MG R	5.6kΩ 1/16W J	
R1901	QRF074K-R47	UNF R	0.47Ω 7W K	
R1909	QRG01GJ-470	OM R	47Ω 1W J	
R1911	QRE121J-223Y	C R	22kΩ 1/2W J	
R1912	QRT029J-R18	MF R	0.18Ω 2W J	
R1913	QRT029J-R15	MF R	0.15Ω 2W J	
R1914	QRK126J-681X	C R	680Ω 1/2W J	
R1915	QRE121J-270Y	C R	27Ω 1/2W J	
R1917	QRK126J-332X	C R	3.3kΩ 1/2W J	
R1918	QRE121J-222Y	C R	2.2kΩ 1/2W J	
R1919	QRE121J-684Y	C R	680kΩ 1/2W J	
R1924	QRE121J-222Y	C R	2.2kΩ 1/2W J	
R1930	QRE121J-223Y	C R	22kΩ 1/2W J	
R1939	QRT039J-2R2	MF R	2.2Ω 3W J	
R1940	QRE121J-181Y	C R	180Ω 1/2W J	
R1941	QRL029J-183	OM R	18kΩ 2W J	
R1943	NRSA63J-104X	MG R	100kΩ 1/16W J	
R1944	NRSA63J-122X	MG R	1.2kΩ 1/16W J	
R1951	NRSA63J-473X	MG R	47kΩ 1/16W J	
R1952	NRSA63J-102X	MG R	1kΩ 1/16W J	
R1953	QRE121J-151Y	C R	150Ω 1/2W J	
R1972	NRVA02D-102X	MF R	1kΩ 1/10W D	
R1973	QRE121J-272Y	C R	2.7kΩ 1/2W J	
R1975	QRE121J-223Y	C R	22kΩ 1/2W J	
R1977	QRE121J-473Y	C R	47kΩ 1/2W J	
R1978	NRSA63J-333X	MG R	33kΩ 1/16W J	
CAPACITOR				
C1001	QETN1HM-475Z	E CAP.	4.7μF 50V M	
C1002	QETN1HM-106Z	E CAP.	10μF 50V M	
C1003	QETN1CM-108Z	E CAP.	1000μF 16V M	
C1011-12	NCB31HK-103X	C CAP.	0.01μF 50V K	
C1014	QETN1CM-107Z	E CAP.	100μF 16V M	
C1015-16	NCB31HK-103X	C CAP.	0.01μF 50V K	
C1021	QFV71HJ-824Z	MF CAP.	0.82μF 50V J	
C1023	QETN1CM-107Z	E CAP.	100μF 16V M	
C1024	NCB31HK-103X	C CAP.	0.01μF 50V K	
C1025	NCB31HK-102X	C CAP.	1000pF 50V K	
C1026	QETN1HM-106Z	E CAP.	10μF 50V M	
C1027	NCB21HK-104X	CHIP CAP.	0.1μF 50V K	
C1028	QETN1HM-106Z	E CAP.	10μF 50V M	
C1029	QETN1CM-336Z	E CAP.	33μF 16V M	
C1030	NCB31HK-103X	C CAP.	0.01μF 50V K	
C1034	NCB31HK-103X	C CAP.	0.01μF 50V K	
C1037	NCB31HK-103X	C CAP.	0.01μF 50V K	
C1038	QETN1CM-107Z	E CAP.	100μF 16V M	
C1041	QETN1HM-474Z	E CAP.	0.47μF 50V M	
C1042	QETN1HM-106Z	E CAP.	10μF 50V M	
C1043-44	NDC31HJ-390X	C CAP.	39pF 50V J	
C1045	QETN1HM-106Z	E CAP.	10μF 50V M	
C1046	NCB31HK-103X	C CAP.	0.01μF 50V K	
C1047	NDC21HJ-330X	C CAP.	33pF 50V J	
C1048	NCB31HK-103X	C CAP.	0.01μF 50V K	
C1111	QETN0JM-108Z	E CAP.	1000μF 6.3V M	
C1112	NCB31HK-103X	C CAP.	0.01μF 50V K	
C1113	QETN1HM-474Z	E CAP.	0.47μF 50V M	
C1114	QETN1HM-105Z	E CAP.	1μF 50V M	
C1115	QFV71HJ-104Z	MF CAP.	0.1μF 50V J	
C1116	NCB21HK-104X	CHIP CAP.	0.1μF 50V K	
C1131-32	NDC31HJ-100X	C CAP.	10pF 50V J	
C1133	NDC31HJ-220X	C CAP.	22pF 50V J	

△ Symbol No.	Part No.	Part Name	Description	Local
CAPACITOR				
C1134	NDC31HJ-100X	C CAP.	10pF 50V J	
C1135	NDC31HJ-330X	C CAP.	33pF 50V J	
C1136	QENC1CM-106Z	BP E CAP.	10pF 16V M	
C1150	NCF21CZ-105X	C CAP.	1μF 16V Z	
C1151	NCB31HK-103X	C CAP.	0.01μF 50V K	
C1152	QENC1HM-105Z	BP E CAP.	1μF 50V M	
C1201	NDC31HJ-100X	C CAP.	10pF 50V J	
C1202	QETN1HM-224Z	E CAP.	0.22μF 50V M	
C1203	NCB31HK-222X	CHIP CAP.	2200pF 50V K	
C1233	NDC31HJ-560X	C CAP.	56pF 50V J	
C1237	NCB31HK-103X	C CAP.	0.01μF 50V K	
C1281	QFV71HJ-474Z	MF CAP.	0.47μF 50V J	
C1282	QETN1CM-227Z	E CAP.	220μF 16V M	
C1283	NCB31HK-103X	C CAP.	0.01μF 50V K	
C1284	QETN1HM-225Z	E CAP.	2.2μF 50V M	
C1285	NCB31HK-272X	CHIP CAP.	2700pF 50V K	
C1286	QETN1HM-106Z	E CAP.	10μF 50V M	
C1287	QETN1CM-107Z	E CAP.	100μF 16V M	
C1288	NCB31HK-103X	C CAP.	0.01μF 50V K	
C1302	NCB21HK-104X	CHIP CAP.	0.1μF 50V K	
C1352	QETN1CM-336Z	E CAP.	33μF 16V M	
C1354	QFV71HJ-154Z	MF CAP.	0.15μF 50V J	
C1391	QETN1CM-107Z	E CAP.	100μF 16V M	
C1392	NCB31HK-103X	C CAP.	0.01μF 50V K	
C1393-95	NCB21HK-104X	CHIP CAP.	0.1μF 50V K	
C1401	NDC21HJ-152X	C CAP.	1500pF 50V J	
C1403	NCB21HK-393X	C CAP.	0.039μF 50V K	
C1404	QETN1VM-107Z	E CAP.	100μF 35V M	
C1405	QCS32HJ-100Z	C CAP.	10pF 500V J	
C1407	QFLC2AK-563Z	M CAP.	0.056μF 100V K	
C1410	QFLC2AJ-104Z	M CAP.	0.1μF 100V J	
C1411	QETN1HM-105Z	E CAP.	1μF 50V M	
C1415	NCB21HK-104X	CHIP CAP.	0.1μF 50V K	
C1421	QEHQ1VM-108	E CAP.	1000μF 35V M	
C1431	QETN1HM-105Z	E CAP.	1μF 50V M	
C1432	QETN1EM-476Z	E CAP.	47μF 25V M	
C1501	QCB32HK-151Z	C CAP.	150pF 500V K	
C1502	QCB32HK-331Z	C CAP.	330pF 500V K	
C1503	QETN2CM-105Z	E CAP.	1μF 160V M	
C1504	QEZ0203-107	E CAP.	100μF 160V M	
C1505	QENC2AM-225Z	BP E CAP.	2.2μF 100V M	
C1507	QEZ0195-475Z	E CAP.		
△ C1510	QFZ0196-402	MPP CAP.		
△ C1513	QFZ0196-113	MPP CAP.		
△ C1514	QFP32GJ-183	PP CAP.	0.018μF 400V J	
△ C1515	QFZ0197-394	MPP CAP.		
C1516	QCB32HK-561Z	C CAP.	560pF 500V K	
C1521	QETN2EM-106Z	E CAP.	10μF 250V M	
C1523	QEHR1EM-108Z	E CAP.	1000μF 25V M	
C1524	QETN1EM-108Z	E CAP.	1000μF 25V M	
C1525	QETN1VM-107Z	E CAP.	100μF 35V M	
C1526	QFV21HJ-824Z	MF CAP.	0.82μF 50V J	
C1527	QFV71HJ-104Z	MF CAP.	0.1μF 50V J	
C1531	QCB32HK-102Z	C CAP.	1000pF 500V K	
C1533	QETN1HM-106Z	E CAP.	10μF 50V M	
C1601-06	QETN1EM-476Z	E CAP.	47μF 25V M	
C1607	QETN1HM-106Z	E CAP.	10μF 50V M	
C1608	NCB31HK-103X	C CAP.	0.01μF 50V K	
C1609-11	QFV71HJ-104Z	MF CAP.	0.1μF 50V J	
C1612	QETN1HM-105Z	E CAP.	1μF 50V M	
C1663-64	QETN1EM-476Z	E CAP.	47μF 25V M	
C1700	NCB31HK-102X	C CAP.	1000pF 50V K	
C1703	NDC31HJ-181X	C CAP.	180pF 50V J	
C1706	QETN1HM-105Z	E CAP.	1μF 50V M	
C1707	QETN1CM-107Z	E CAP.	100μF 16V M	
C1708-09	NDC31HJ-330X	C CAP.	33pF 50V J	
C1710	NCB21EK-683X	C CAP.	0.068μF 25V K	
C1714	QETN1HM-105Z	E CAP.	1μF 50V M	
C1721	NCB31HK-103X	C CAP.	0.01μF 50V K	
C1722-23	NDC31HJ-390X	C CAP.	39pF 50V J	
C1724	NDC31HJ-471X	C CAP.	470pF 50V J	
C1726	NDC21HJ-561X	C CAP.	560pF 50V J	
C1800	QETN1CM-107Z	E CAP.	100μF 16V M	

△ Symbol No.	Part No.	Part Name	Description	Local
CAPACITOR				
C1801	NCB21HK-104X	CHIP CAP.	0.1μF 50V K	
C1802	QETN1CM-107Z	E CAP.	100μF 16V M	
C1803	QETN1HM-106Z	E CAP.	10μF 50V M	
C1804	NDC31HJ-102X	C CAP.	1000pF 50V J	
C1805	NCB31HK-153X	C CAP.	0.015μF 50V K	
C1806-07	QETN1HM-106Z	E CAP.	10μF 50V M	
C1810	QETN1HM-474Z	E CAP.	0.47μF 50V M	
C1811	QETN1HM-105Z	E CAP.	1μF 50V M	
C1813	NCB31HK-102X	C CAP.	1000pF 50V K	
C1816	NCB31HK-153X	C CAP.	0.015μF 50V K	
C1851	QETN1EM-107Z	E CAP.	100μF 25V M	
C1852	QETN1CM-107Z	E CAP.	100μF 16V M	
C1853-54	QETN1CM-227Z	E CAP.	220μF 16V M	
C1856	QETN1CM-227Z	E CAP.	220μF 16V M	
C1857	QETN1CM-477Z	E CAP.	470μF 16V M	
△ C1904	QCZ9054-102	C CAP.	1000pF AC250V Z	
△ C1905	QCZ9054-102	C CAP.	1000pF AC250V Z	
△ C1906	QCZ9054-102	C CAP.	1000pF AC250V Z	
△ C1907	QEZ0169-477	E CAP.	470μF 200V M	
△ C1908	QCZ9054-102	C CAP.	1000pF AC250V Z	
C1912	QCZ0340-332	C CAP.		
C1913	QFLC1HJ-471Z	M CAP.	470pF 50V J	
C1914	QETN1HM-107Z	E CAP.	100μF 50V M	
C1916	NDC31HJ-331X	C CAP.	330pF 50V J	
C1917	NCB31HK-222X	CHIP CAP.	2200pF 50V K	
C1918	NCB21HK-104X	CHIP CAP.	0.1μF 50V K	
C1919	QFP32GJ-103	PP CAP.	0.01μF 400V J	
C1925	NRSA63J-0R0X	MG R	0.0Ω 1/16W J	
C1931	QEZ0203-227	E CAP.	220μF 160V M	
C1932	QETN1CM-108Z	E CAP.	1000μF 16V M	
C1933	QETM1EM-228	E CAP.	2200μF 25V M	
C1934-35	QETN1EM-108Z	E CAP.	1000μF 25V M	
C1937	QCZ0340-102	C CAP.		
C1938	QETM1EM-228	E CAP.	2200μF 25V M	
C1939-40	QCB32HK-152Z	C CAP.	1500pF 500V K	
C1942	QETN1HM-105Z	E CAP.	1μF 50V M	
C1943	QETN1CM-108Z	E CAP.	1000μF 16V M	
C1948	QETN1EM-476Z	E CAP.	47μF 25V M	
C1951	QETN1EM-108Z	E CAP.	1000μF 25V M	
C1971	QETN1CM-107Z	E CAP.	100μF 16V M	
C1972	QETN1EM-476Z	E CAP.	47μF 25V M	
C1973	QETN1HM-106Z	E CAP.	10μF 50V M	
△ C1998-99	QCZ9074-103	C CAP.	0.01μF 400V M	
TRANSFORMER				
T1501	CE42034-002	H.DRIVE TRANSF.		
△ T1502	QQH0084-001	FBT		
△ T1921	QQS0090-001	SW TRANSF.		
△ T1951	QQT0315-001	POWER TRANSF.		
COIL				
△ L1001	QQL244K-560Z	PEAKING COIL		
L1012	QQLZ014-R39	PEAKING COIL		
L1021	QRN143J-0R0X	C R	0.0Ω 1/4W J	
L1022	QQL244K-220Z	PEAKING COIL		
L1024	QQL244K-220Z	PEAKING COIL		
L1027	QRN143J-0R0X	C R	0.0Ω 1/4W J	
L1041	QRN143J-0R0X	C R	0.0Ω 1/10W J	
L1042	QQL244K-220Z	PEAKING COIL		
L1101	QQL244K-470Z	COIL	47μH K	
L1232	QQL244K-560Z	PEAKING COIL		
△ L1511	QQR1165-001	LINEARITY COIL		
L1512	QQLZ027-821	CHOKE COIL		
△ L1521	QQLZ018-480	HEATER CHOKE		
L1700	QQL244K-4R7Z	COIL	4.7μH K	
L1810	QQL244J-100Z	COIL	10μH J	
L1931	QQL26AK-470Z	COIL	47μH K	
L1933-34	QQL26AK-470Z	COIL	47μH K	
L1937	QQL26AK-470Z	COIL	47μH K	

△ Symbol No.	Part No.	Part Name	Description	Local
DIODE				
D1101-02	UDZS8.2B-X	ZENER DIODE		
D1305-07	MA153A-X	SI.DIODE		
D1352	UDZS9.1B-X	ZENER DIODE		
D1353	1SS355-X	SI.DIODE		
D1401	1SR35-400A-T2	SI.DIODE		
D1431	1SR35-400A-T2	SI.DIODE		
D1432	1SS355-X	SI.DIODE		
D1501	RH3G-F1	SI.DIODE		
D1502	RU3AM-LFC4	SI.DIODE		
D1507	RGP10J-5025-T3	SI.DIODE		
D1521	RH1S-T3	SI.DIODE		
D1523-24	EL1Z-T3	SI.DIODE		
D1525-26	1SS81-T5	SI.DIODE		
D1527	1SR124-400A-T2	SI.DIODE		
D1529	MA3051/H-X	ZENER DIODE		
△ D1531	MA4068N/Z1/-T2	ZENER DIODE		
D1534-35	1SS355-X	SI.DIODE		
D1537	1SR35-400A-T2	SI.DIODE		
D1601-06	UDZS9.1B-X	ZENER DIODE		
D1701-02	1SS355-X	SI.DIODE		
D1706-10	MA3082/M/-X	ZENER DIODE		
D1711	1SS81-T2	SI.DIODE		
D1712-15	1SS355-X	SI.DIODE		
D1716	NRSA02J-0R0X	MG R	0.0Ω 1/10W J	
D1721-22	1SS355-X	SI.DIODE		
D1723-24	MTZJ5.6B-T2	ZENER DIODE		
D1800	1SS81-T2	SI.DIODE		
D1801	1SS355-X	SI.DIODE		
D1810	MA3082/M/-X	ZENER DIODE		
D1811	1SS355-X	SI.DIODE		
△ D1901	RBV-406M	BRIDGE DIODE		
D1910	MA700A-T2	SI.DIODE		
D1911	RGP10J-5025-T3	SI.DIODE		
D1912	RGP10J-5025-T3	SI.DIODE		
D1913	RGP10J-5025-T3	SI.DIODE		
D1914	1SS355-X	SI.DIODE		
D1915	SARS01-T2	SI.DIODE		
D1917	MA3270/H/-X	ZENER DIODE		
D1918	MA3051/H/-X	ZENER DIODE		
D1920	1SS355-X	SI.DIODE		
D1930	RGP10J-5025-T3	SI.DIODE		
D1931	RU30A-F1	SI.DIODE		
D1933	RU3YX-LFC4	SI.DIODE		
D1935	RU3YX-LFC4	SI.DIODE		
D1937	RU3YX-LFC4	SI.DIODE		
D1941	MA3300/M/-X	CHIP ZENER DIODE		
D1945	1SS355-X	SI.DIODE		
D1952-53	1SS355-X	SI.DIODE		
D1954-57	1SR35-400A-T2	SI.DIODE		
D1958	NRSA02J-0R0X	MG R	0.0Ω 1/10W J	
D1972	MA3150/M/-X	ZENER DIODE		
D1973	1SS355-X	SI.DIODE		
TRANSISTOR				
Q1011	2SC5083/L-P/-T	SI.TRANSISTOR		
Q1021	2SC2412K/QR/-X	SI.TRANSISTOR		
Q1024	2SC2412K/QR/-X	SI.TRANSISTOR		
Q1025	2SA1037AK/QR/-X	SI.TRANSISTOR		
Q1041	2SA1037AK/QR/-X	SI.TRANSISTOR		
Q1131-33	2SC2412K/QR/-X	SI.TRANSISTOR		
Q1153-54	DTC124EKA-X	DIGI.TRANSISTOR		
Q1232-33	2SC2412K/QR/-X	SI.TRANSISTOR		
Q1352	2SC2412K/QR/-X	SI.TRANSISTOR		
Q1431	2SC2412K/QR/-X	SI.TRANSISTOR		
Q1440	2SC2412K/QR/-X	SI.TRANSISTOR		
Q1501	2SC2421Z1/	SI.TRANSISTOR		
Q1511	2SD2634-YD	SI.TRANSISTOR	H.OUT	
Q1531	2SC2785/JH/-T	SI.TRANSISTOR		
Q1532	2SA1037AK/QR/-X	SI.TRANSISTOR		
Q1541-42	2SA1037AK/QR/-X	SI.TRANSISTOR		
△ Q1543	2SD1408/OY/-LB	SI.TRANSISTOR		
Q1700	2SC2412K/QR/-X	SI.TRANSISTOR		
Q1701	2SA1037AK/QR/-X	SI.TRANSISTOR		
Q1703	2SA1037AK/QR/-X	SI.TRANSISTOR		

△ Symbol No.	Part No.	Part Name	Description	Local
TRANSISTOR				
Q1705	2SA1037AK/QR/-X	SI.TRANSISTOR		
Q1706	2SC2412K/QR/-X	SI.TRANSISTOR		
Q1711	DTC124EKA-X	DIGI.TRANSISTOR		
Q1810	DTC144EKA-X	DIGI.TRANSISTOR		
Q1941	2SC2412K/QR/-X	SI.TRANSISTOR		
Q1951	2SD1383K/AB/-X	SI.TRANSISTOR		
Q1971	2SA1123R/Z1-T	SI.TRANSISTOR		

△ Symbol No.	Part No.	Part Name	Description	Local
IC				
IC1101	TB1253N	I.C.(M)		
IC1151	TC4066BF/N/-XE	I.C.(DIGI-MOS)		
△ IC1401	LA7841	I.C.(MONO-ANA)		
IC1601	M52055FP-X	I.C.(MONO-ANA)		
IC1651	PQ3RD13	I.C.(MONO-ANA)		
IC1701	MN1876478JJ	I C		
IC1702	AT24C04-27F802	I.C.(MEMORY-OTH)	(SERVICE)	
IC1703	MM1437AF-X	I.C.(MONO-ANA)		
IC1851	AN7812F	I.C.(MONO-ANA)		
IC1852	AN7809F	I.C.(MONO-ANA)		
IC1853	AN7805F	I.C.(MONO-ANA)		
IC1911	STR-F6626/F3	I C		
△ IC1921	SE135N	I.C.(HYBRID)		

△ Symbol No.	Part No.	Part Name	Description	Local
OTHERS				
CF1001	QAX0349-001	CERAMIC FILTER		
CF1021	QAX0639-001Z	CERAMIC FILTER		
CF1041	QAX0642-001Z	CERAMIC FILTER		
CL1004	CM47653-001	P.W.B.HOLDER		
△ CP1932	ICP-N75-Y	I.C.PROTECT		
△ CP1933	ICP-N75-Y	I.C.PROTECT		
△ CP1934	ICP-N75-Y	I.C.PROTECT		
△ CP1936	ICP-N75-Y	I.C.PROTECT		
△ F1905	QMFZ034-5R0Z-J1	FUSE	5A	
△ FR1521	QRK129J-150	C R	15Ω	1/2W J
△ FR1523-24	QRX029J-3R3	MFR	3.3Ω	2W J
△ FR1525	QRZ9017-4R7	F R	4.7Ω	1/2W
J1601-02	QNN0349-002	PIN JACK		
J1810	QNS0001-001	JACK		
K1401	QQR0621-002Z	BEADS CORE		
K1912	QQR0582-001Z	BEADS CORE		
K1916-17	QQR0582-001Z	BEADS CORE		
K1920	QQR0872-002	FERRITE BEADS		
K1931-33	QQR0582-001Z	BEADS CORE		
K1935	QQR0582-001Z	BEADS CORE		
K1937	QQR0582-001Z	BEADS CORE		
LC1601-06	NQR0169-001X	EMIFILTER		
△ PC1921	TLP621(B)	I.C.(PH.COUPLER)		
△ RY1941	QSK0120-001	RELAY		
△ RY1951	QSK0113-001	RELAY		
SF1011	QAX0324-002	SAW FILTER		
△ TH1901	CEKP007-002	P.THERMISTOR		
△ TU1001	QAU0134-001	TUNER		
X1201	CE40668-001Z	CRYSTAL		
X1700	QAX0307-001	CER.RESONATOR		

DAF PW BOARD ASS'Y (SAC-2601A-M2)

△ Symbol No.	Part No.	Part Name	Description	Local
RESISTOR				
R2701	QRG01GJ-220	OM R	22Ω 1W	J
R2702	QRE121J-123Y	C R	12kΩ 1/2W	J
R2703	QRZ0056-103Z	COMP.R	10Ω	
R2751	NRSA63J-683X	MG R	68kΩ 1/16W	J

△ Symbol No.	Part No.	Part Name	Description	Local
RESISTOR				
R2752	NRSA63J-822X	MG R	8.2kΩ 1/16W	J
R2753	NRSA63J-122X	MG R	1.2kΩ 1/16W	J
R2754	NRSA63J-103X	MG R	10kΩ 1/16W	J
R2755	NRSA63J-563X	MG R	56kΩ 1/16W	J
R2756	NRSA63J-123X	MG R	12kΩ 1/16W	J
R2757	NRSA63J-472X	MG R	4.7kΩ 1/16W	J
R2758	NRSA63J-124X	MG R	120kΩ 1/16W	J
R2761-65	QRE121J-184Y	C R	180kΩ 1/2W	J
R2771	QRL039J-223	OM R	22kΩ 3W	J

△ Symbol No.	Part No.	Part Name	Description	Local
CAPACITOR				
C2701	QFV71HJ-124Z	MF CAP.	0.12μF 50V	J
C2751	QFLC1HJ-563Z	M CAP.	0.056μF 50V	J
C2752	QETN1EM-476Z	E CAP.	47μF 25V	M
C2753	QFZO122-103	MPP CAP.		
C2761	QFZO122-682	M.PP CAPACITOR		
C2771	QETN1HM-106Z	E CAP.	10μF 50V	M

△ Symbol No.	Part No.	Part Name	Description	Local
TRANSFORMER				
T2701	QQR1153-001	DEF.TRANSF.		

△ Symbol No.	Part No.	Part Name	Description	Local
COIL				
L2701	QQLZ028-272	CHOKE COIL		

△ Symbol No.	Part No.	Part Name	Description	Local
DIODE				
D2761-62	ES1F-LFG2	SI.DIODE		
D2771	MA3300/M/-X	CHIP ZENER DIODE		

△ Symbol No.	Part No.	Part Name	Description	Local
TRANSISTOR				
Q2751-52	2SC2412K/QR/-X	SI.TRANSISTOR		
Q2753	2SC4632	SI.TRANSISTOR		

CRT SOCKET PW BOARD ASS'Y (SAC-3501A-M2)

△ Symbol No.	Part No.	Part Name	Description	Local
RESISTOR				
R3108	NRSA63J-0R0X	MG R	0.0Ω 1/16W	J
R3111	NRSA63J-332X	MG R	3.3kΩ 1/16W	J
R3114	QRJ146J-100X	C R	10Ω 1/4W	J
R3115-16	NRSA63J-470X	MG R	47Ω 1/16W	J
R3117	NRSA63J-102X	MG R	1kΩ 1/16W	J
R3119	NRSA63J-680X	MG R	68Ω 1/16W	J
R3122	QRZ9021-561	F R		
R3123	NRSA63J-122X	MG R	1.2kΩ 1/16W	J
R3124	NRSA63J-390X	MG R		
R3125	NRSA63J-5R6X	MG R		
R3126-27	NRSA63J-563X	MG R	56kΩ 1/16W	J
R3128	NRSA63J-122X	MG R	1.2kΩ 1/16W	J
R3129	NRSA63J-5R6X	MG R		
R3130	NRSA63J-390X	MG R		
R3131	NRSA63J-121X	MG R	120Ω 1/16W	J
R3132	QRL029J-391	OM R	390Ω 2W	J
R3134	NRSA63J-152X	MG R	1.5kΩ 1/16W	J
R3136	NRSA63J-333X	MG R	33kΩ 1/16W	J
R3139	NRSA63J-681X	MG R	680Ω 1/16W	J
R3142	NRSA63J-124X	MG R	120kΩ 1/16W	J
R3143	NRSA63J-681X	MG R	680Ω 1/16W	J
R3145-46	NRSA63J-5R6X	MG R		
R3151	NRSA63J-473X	MG R	47kΩ 1/16W	J
R3152-53	NRSA63J-683X	MG R	68kΩ 1/16W	J

FRONT PW BOARD ASS'Y (SAC-8501A-M2)

△ Symbol No.	Part No.	Part Name	Description	Local
RESISTOR				
R3154	NRSA63J-473X	MG R	47kΩ 1/16W J	
R3301-06	NRSA63J-151X	MG R	150Ω 1/16W J	
R3307-09	NRSA63J-100X	MG R	10Ω 1/16W J	
R3310-12	QRG029J-153	OM R	15kΩ 2W J	
R3313-15	QRG029J-183	OM R	18kΩ 2W J	
R3316-18	NRSA63J-0R0X	MG R	0.0Ω 1/16W J	
R3325-27	QRC121K-102Z	COMP.R	1kΩ 1/2W K	
R3331-33	NRSA63J-122X	MG R	1.2kΩ 1/16W J	
R3334	NRSA63J-152X	MG R	1.5kΩ 1/16W J	
R3335	NRSA63J-391X	MG R	390Ω 1/16W J	
R3336-38	NRSA63J-0R0X	MG R	0.0Ω 1/16W J	
R3351-53	NRSA63J-102X	MG R	1kΩ 1/16W J	
R3354	NRSA63J-561X	MG R	560Ω 1/16W J	
R3355	NRSA63J-563X	MG R	56kΩ 1/16W J	
R3361	QRC121K-105Z	COMP.R	1MΩ 1/2W K	
R3362	QRC121K-102Z	COMP.R	1kΩ 1/2W K	
R3363	QRC121K-474Z	COMP.R	470kΩ 1/2W K	

CAPACITOR

C3101	QETN1HM-106Z	E CAP.	10μF 50V M
C3109	QETN1CM-107Z	E CAP.	100μF 16V M
C3110-11	NDC31HJ-221X	C CAP.	220pF 50V J
C3113	QETN2CM-106Z	E CAP.	10μF 160V M
C3114-15	QCB32HK-472Z	C CAP.	4700pF 500V K
C3117	QETN2CM-106Z	E CAP.	10μF 160V M
C3118	QETN0JM-107Z	E CAP.	100μF 6.3V M
C3119	QETN1AM-107Z	E CAP.	100μF 10V M
C3120	QETN1AM-337Z	E CAP.	330μF 10V M
C3121	QCS32HJ-151Z	C CAP.	150pF 500V J
C3122	NDC31HJ-5R0X	C CAP.	5.0pF 50V J
C3125	NRSA63J-0R0X	MG R	0.0Ω 1/16W J
C3151-52	NCB21EK-104X	C CAP.	0.1μF 25V K
C3301-03	NDC31HJ-471X	C CAP.	470pF 50V J
C3321-22	QETN2EM-105Z	E CAP.	1μF 250V M
C3323	QETN1CM-477Z	E CAP.	470μF 16V M
C3331-33	NDC31HJ-561X	C CAP.	560pF 50V J
C3351	QETN1CM-337Z	E CAP.	330μF 16V M
C3361	QETN2EM-105Z	E CAP.	1μF 250V M
C3363	QCZ0324-102	C CAP.	

COIL

L3301-03	QQL244K-180Z	COIL	18μH K
L3304-06	QQL244K-470Z	COIL	47μH K

DIODE

D3101	1SS355-X	SI.DIODE	
D3105-06	RH1S-T3	SI.DIODE	
D3301-03	1SS355-X	SI.DIODE	
D3304-06	1SS82-T2	SI.DIODE	
D3331	1SS355-X	SI.DIODE	
D3351	1SS355-X	SI.DIODE	
D3361	RM2C-LFA1	SI.DIODE	

TRANSISTOR

Q3103	2SA933AS/QR/-T	SI.TRANSISTOR	
Q3105	2SC1740S/QR/-T	SI.TRANSISTOR	
Q3106	2SA933AS/QR/-T	SI.TRANSISTOR	
Q3107	2SA1964/DE/	SI.TRANSISTOR	
Q3108	2SC5248/DE/	SI.TRANSISTOR	
Q3109	2SC1740S/QR/-T	SI.TRANSISTOR	
Q3151	2SC1740S/QR/-T	SI.TRANSISTOR	
Q3152	2SA933AS/QR/-T	SI.TRANSISTOR	
Q3301-03	2SC5083/L-P/-T	SI.TRANSISTOR	
Q3304-06	2SC5147/CDE/F43	SI.TRANSISTOR	
Q3351	2SA933AS/QR/-T	SI.TRANSISTOR	

△ Symbol No.	Part No.	Part Name	Description	Local
OTHERS				
K3102-05	CE41492-001Z	CHOKO COIL		
△ SK3001	CE42670-001	C.R.T.SOCKET		

RESISTOR

R8401	NRSA63J-750X	MG R	75Ω 1/16W J
R8402-03	NRSA63J-224X	MG R	220kΩ 1/16W J
R8404-05	NRSA63J-750X	MG R	75Ω 1/16W J
R8406	NRSA63J-333X	MG R	33kΩ 1/16W J
R8702	NRSA63J-472X	MG R	4.7kΩ 1/16W J
R8703	NRSA63J-153X	MG R	15kΩ 1/16W J
R8705	NRSA63J-472X	MG R	4.7kΩ 1/16W J
R8706	NRSA63J-153X	MG R	15kΩ 1/16W J

CAPACITOR

C8442-43	QETN1HM-105Z	E CAP.	1μF 50V M
C8444-45	QETN1HM-474Z	E CAP.	0.47μF 50V M
C8446	NCB31HK-103X	C CAP.	0.01μF 50V K

DIODE

D8402-06	UDZS10B-X	ZENER DIODE	
----------	-----------	-------------	--

OTHERS

J8401	QNZ0453-001	JACK	
LC8401-02	NQR0169-001X	EMI FILTER	
S8702	QSW0619-003Z	PUSH SWITCH	MENU
S8703	QSW0619-003Z	PUSH SWITCH	CH-
S8704	QSW0619-003Z	PUSH SWITCH	CH+
S8705	QSW0619-003Z	PUSH SWITCH	VOL-
S8706	QSW0619-003Z	PUSH SWITCH	VOL+

POWER SW PW BOARD ASS'Y (SAC-8601A-M2)

△ Symbol No.	Part No.	Part Name	Description	Local
RESISTOR				
R8101	NRSA63J-561X	MG R	560Ω 1/16W J	
R8107	NRSA63J-332X	MG R	3.3kΩ 1/16W J	
R8108	NRSA63J-152X	MG R	1.5kΩ 1/16W J	

CAPACITOR

C8102	QETN1EM-476Z	E CAP.	47μF 25V M
-------	--------------	--------	------------

DIODE

D8101	SLR-342VR3F	L.E.D.	
-------	-------------	--------	--

TRANSISTOR

Q8101-02	DTA124EKA-X	DIGI.TRANSISTOR	
----------	-------------	-----------------	--

IC

IC8101	GP1U281Q	IFR DETECT UNIT	
--------	----------	-----------------	--

LF PW BOARD ASS'Y (SAC-9501A-M2)

△	Symbol No.	Part No.	Part Name	Description	Local
OTHERS					
	S8701	LC30190-001B-A QSW0847-001	L.E.D.HOLDER TACT SWITCH	POWER	
RESISTOR					
	R9997	QRE121J-5R6Y	C R	5.6Ω	1/2W J
△	R9998	QRZ9041-275	C R		
	R9999	QRE121J-121Y	C R	120Ω	1/2W J

CAPACITOR

△	C9901	QFZ9067-104	MM CAP.		
△	C9902	QFZ9067-473	MM CAP.		
△	C9903	QFZ9067-104	MM CAP.		
△	C9904	QCZ9052-102	C CAP.		

OTHERS

△	CN90PW	QMPD200-200-JC	POWER CORD		
△	F9901	QMF0007-5R0J1	FUSE	5A	
	FC9901	CEMG002-001Z	FUSE CLIP	(x2)	
△	LF9901	QQR0527-004	LINE FILTER		
△	LF9902	QQR1159-001	LINE FILTER		
△	VA9901	ERZV10V621CS	VARISTOR		

PIP PW BOARD ASS'Y (SAC0P501A-M2)

△	Symbol No.	Part No.	Part Name	Description	Local
RESISTOR					
	R0001-02	NRSA63J-103X	MG R	10kΩ	1/16W J
	R0003-04	NRSA63J-101X	MG R	100Ω	1/16W J
	R0005	NRSA63J-0R0X	MG R	0.0Ω	1/16W J
	R0011	NRSA63J-0R0X	MG R	0.0Ω	1/16W J
	R0121	NRSA63J-0R0X	MG R	0.0Ω	1/16W J
	R0301	NRSA63J-473X	MG R	47kΩ	1/16W J
	R0303	NRSA63J-222X	MG R	2.2kΩ	1/16W J
	R0304	NRSA63J-473X	MG R	47kΩ	1/16W J
	R0306	NRSA63J-222X	MG R	2.2kΩ	1/16W J
	R0307-08	NRSA63J-332X	MG R	3.3kΩ	1/16W J
	R0309	NRSA63J-102X	MG R	1kΩ	1/16W J
	R0311	NRSA63J-101X	MG R	100Ω	1/16W J
	R0313	NRSA63J-101X	MG R	100Ω	1/16W J
	R0314	NRSA63J-0R0X	MG R	0.0Ω	1/16W J
	R0316	NRSA63J-331X	MG R	330Ω	1/16W J
	R0317	NRSA63J-0R0X	MG R	0.0Ω	1/16W J
	R0331	NRSA63J-0R0X	MG R	0.0Ω	1/16W J
	R0337	NRSA63J-0R0X	MG R	0.0Ω	1/16W J
	R0343	NRSA63J-0R0X	MG R	0.0Ω	1/16W J

CAPACITOR

	C0003-04	QETN1HM-106Z	E CAP.	10μF	50V M
	C0006	QETN1HM-106Z	E CAP.	10μF	50V M
	C0008	QETN1EM-476Z	E CAP.	47μF	25V M
	C0301-02	NRSA63J-0R0X	MG R	0.0Ω	1/16W J
	C0312-13	NDC31HJ-270X	C CAP.	27pF	50V J
	C0314	QETN1HM-106Z	E CAP.	10μF	50V M
	C0315	NCB31HK-103X	C CAP.	0.01μF	50V K
	C0316-18	NCB21HK-104X	CHIP CAP.	0.1μF	50V K
	C0319	QETN1HM-106Z	E CAP.	10μF	50V M
	C0320	NCB31HK-103X	C CAP.	0.01μF	50V K
	C0321	QETN1HM-105Z	E CAP.	1μF	50V M
	C0322	NCB31HK-103X	C CAP.	0.01μF	50V K
	C0323	QETN1HM-106Z	E CAP.	10μF	50V M
	C0324-25	NCB31HK-103X	C CAP.	0.01μF	50V K
	C0326	NCB21HK-104X	CHIP CAP.	0.1μF	50V K

△	Symbol No.	Part No.	Part Name	Description	Local
CAPACITOR					
	C0327	QETN1HM-225Z	E CAP.	2.2μF	50V M
	C0328	NCB31HK-103X	C CAP.	0.01μF	50V K
	C0329	QETN1HM-225Z	E CAP.	2.2μF	50V M
	C0330	NCB31HK-103X	C CAP.	0.01μF	50V K
	C0331	NCB21HK-104X	CHIP CAP.	0.1μF	50V K

COIL

	L0302-04	QLL244J-6R8Z	COIL	6.8μH	
--	----------	--------------	------	-------	--

DIODE

	D0301	1SS133-T2	SI.DIODE		
--	-------	-----------	----------	--	--

TRANSISTOR

	Q0301-03	2SC2412K/QR/-X	SI.TRANSISTOR		
--	----------	----------------	---------------	--	--

IC

	IC0001	AN7805F	I.C.(MONO-ANA)		
	IC0301	SDA9389X-X	I.C.(DIGI-MOS)		

OTHERS

△	TU0001	QAU0206-001	TUNER		
---	--------	-------------	-------	--	--

AV SW PW BOARD ASS'Y (SAC0S501A-M2)

△	Symbol No.	Part No.	Part Name	Description	Local
RESISTOR					
	R0081	NRSA63J-102X	MG R	1kΩ	1/16W J
	R0082	NRSA63J-682X	MG R	6.8kΩ	1/16W J
	R0083	NRSA63J-153X	MG R	15kΩ	1/16W J
	R0084	NRSA63J-683X	MG R	68kΩ	1/16W J
	R0085	NRSA63J-332X	MG R	3.3kΩ	1/16W J
	R0086	NRSA63J-333X	MG R	33kΩ	1/16W J
	R0087	NRVA02D-153X	MF R	15kΩ	1/10W D
	R0088	NRVA02D-152X	MF R	1.5kΩ	1/10W D
	R0089	NRSA63J-562X	MG R	5.6kΩ	1/16W J
	R0090	NRSA63J-563X	MG R	56kΩ	1/16W J
	R0151-54	NRSA63J-223X	MG R	22kΩ	1/16W J
	R0155	NRSA63J-0R0X	MG R	0.0Ω	1/16W J
	R0157	NRSA63J-0R0X	MG R	0.0Ω	1/16W J
	R0159	NRSA63J-103X	MG R	10kΩ	1/16W J
	R0202	NRSA63J-101X	MG R	100Ω	1/16W J
	R0301-02	NRSA63J-222X	MG R	2.2kΩ	1/16W J
	R0303-04	NRSA63J-221X	MG R	220Ω	1/16W J
	R0305-06	NRSA63J-0R0X	MG R	0.0Ω	1/16W J
	R0331-34	NRSA63J-101X	MG R	100Ω	1/16W J
	R0371-74	NRSA63J-103X	MG R	10kΩ	1/16W J
	R0375-76	NRSA63J-333X	MG R	33kΩ	1/16W J
	R0377-78	NRSA63J-472X	MG R	4.7kΩ	1/16W J
	R0381	NRSA63J-682X	MG R	6.8kΩ	1/16W J
	R0382	NRSA63J-223X	MG R	22kΩ	1/16W J
	R0384-87	NRSA63J-223X	MG R	22kΩ	1/16W J
	R0391-92	NRSA63J-221X	MG R	220Ω	1/16W J
	R0393-94	NRSA63J-823X	MG R	82kΩ	1/16W J
	R0395-96	NRSA63J-221X	MG R	220Ω	1/16W J
	R0401	NRSA63J-183X	MG R	18kΩ	1/16W J
	R0402	NRSA63J-223X	MG R	22kΩ	1/16W J
	R0458	NRSA63J-333X	MG R	33kΩ	1/16W J
	R0459	NRSA63J-183X	MG R	18kΩ	1/16W J

△ Symbol No.	Part No.	Part Name	Description	Local
RESISTOR				
R0501-02	NRSA63J-102X	MG R	1kΩ 1/16W J	
R0503	NRSA63J-221X	MG R	220Ω 1/16W J	
R0504-05	NRSA63J-102X	MG R	1kΩ 1/16W J	
R0507-08	NRSA63J-102X	MG R	1kΩ 1/16W J	
R0509	NRSA63J-221X	MG R	220Ω 1/16W J	
R0510-11	NRSA63J-102X	MG R	1kΩ 1/16W J	
R0518	NRSA63J-333X	MG R	33kΩ 1/16W J	
R0519-21	NRSA63J-750X	MG R	75Ω 1/16W J	
R0522-23	NRSA63J-224X	MG R	220kΩ 1/16W J	
R0527	NRSA63J-750X	MG R	75Ω 1/16W J	
R0528-29	NRSA63J-0R0X	MG R	0.0Ω 1/16W J	
R0532-35	NRSA63J-224X	MG R	220kΩ 1/16W J	
R0558-61	NRSA63J-0R0X	MG R	0.0Ω 1/16W J	
R0564-65	NRSA63J-0R0X	MG R	0.0Ω 1/16W J	
R0566-67	NRSA63J-331X	MG R	330Ω 1/16W J	
R0568	NRSA63J-0R0X	MG R	0.0Ω 1/16W J	
R0571	NRSA63J-101X	MG R	100Ω 1/16W J	
R0573	NRSA63J-272X	MG R	2.7kΩ 1/16W J	
R0901	NRSA63J-101X	MG R	100Ω 1/16W J	
R0906	NRSA63J-0R0X	MG R	0.0Ω 1/16W J	

△ Symbol No.	Part No.	Part Name	Description	Local
CAPACITOR				
C0081	NCB21HK-104X	CHIP CAP.	0.1μF 50V K	
C0082	QENC1HM-475Z	BP E CAP.	4.7μF 50V M	
C0083	QENC1HM-105Z	BP E CAP.	1μF 50V M	
C0084	QETN1HM-225Z	E CAP.	2.2μF 50V M	
C0085	NCB21HK-473X	C CAP.	0.047μF 50V K	
C0086	QETN1HM-474Z	E CAP.	0.47μF 50V M	
C0087-88	NCB21HK-104X	CHIP CAP.	0.1μF 50V K	
C0089	QBTC1CK-335Z	TAN.CAP.	3.3μF 16V K	
C0090	QETN1HM-105Z	E CAP.	1μF 50V M	
C0091	QBTC1CK-106Z	TAN.CAP.	10μF 16V K	
C0092-93	QETN1HM-105Z	E CAP.	1μF 50V M	
C0094	QETN1HM-475Z	E CAP.	4.7μF 50V M	
C0095	QETN1HM-105Z	E CAP.	1μF 50V M	
C0151-52	QENC1HM-105Z	BP E CAP.	1μF 50V M	
C0153-54	NCB31HK-332X	CHIP CAP.	3300pF 50V K	
C0155-56	NCB21HK-333X	C CAP.	0.033μF 50V K	
C0157-58	QETN1HM-106Z	E CAP.	10μF 50V M	
C0159	QETN1EM-476Z	E CAP.	47μF 25V M	
C0160	NCB21HK-104X	CHIP CAP.	0.1μF 50V K	
C0309-10	NCB31HK-102X	C CAP.	1000pF 50V K	
C0311-12	NRSA63J-0R0X	MG R	0.0Ω 1/16W J	
C0331	QETN1CM-107Z	E CAP.	100μF 16V M	
C0332	NCB31HK-103X	C CAP.	0.01μF 50V K	
C0333	QETN1EM-476Z	E CAP.	47μF 25V M	
C0334	NCB21HK-273X	C CAP.	0.027μF 50V K	
C0335	QETN1HM-225Z	E CAP.	2.2μF 50V M	
C0336	NCB31HK-222X	CHIP CAP.	2200pF 50V K	
C0337	NCB21HK-104X	CHIP CAP.	0.1μF 50V K	
C0338	QETN1HM-225Z	E CAP.	2.2μF 50V M	
C0339	NCB31HK-222X	CHIP CAP.	2200pF 50V K	
C0340	NCB21HK-104X	CHIP CAP.	0.1μF 50V K	
C0343	QETN1HM-105Z	E CAP.	1μF 50V M	
C0344-45	QENC1HM-225Z	BP E CAP.	2.2μF 50V M	
C0371-72	QENC1HM-105Z	BP E CAP.	1μF 50V M	
C0373	QETN1EM-476Z	E CAP.	47μF 25V M	
C0391-92	QETN1HM-474Z	E CAP.	0.47μF 50V M	
C0401	QETN1CM-107Z	E CAP.	100μF 16V M	
C0402-03	NCF21CZ-105X	C CAP.	1μF 16V Z	
C0404	QFV71HU-224Z	MF CAP.	0.22μF 50V J	
C0407	QETN1EM-108Z	E CAP.	1000μF 25V M	
C0410-11	QETN1EM-108Z	E CAP.	1000μF 25V M	
C0412-13	QETN1HM-105Z	E CAP.	1μF 50V M	
C0501-02	NCB31HK-103X	C CAP.	0.01μF 50V K	
C0503	QETN1HM-226Z	E CAP.	22μF 50V M	
C0504	QETN1EM-476Z	E CAP.	47μF 25V M	
C0505	QENC1HM-474Z	BP E CAP.	0.47μF 50V M	
C0508	QETN1HM-474Z	E CAP.	0.47μF 50V M	
C0509	NCB31HK-103X	C CAP.	0.01μF 50V K	
C0511	QETN1HM-474Z	E CAP.	0.47μF 50V M	
C0512-13	QETN1HM-105Z	E CAP.	1μF 50V M	
C0517	QETN1HM-474Z	E CAP.	0.47μF 50V M	

△ Symbol No.	Part No.	Part Name	Description	Local
CAPACITOR				
C0520-23	QETN1HM-105Z	E CAP.	1μF 50V M	
C0533-34	NCB31HK-103X	C CAP.	0.01μF 50V K	
C0538-39	NCB31HK-103X	C CAP.	0.01μF 50V K	
COIL				
L0001-02	QRN143J-0R0X	C R	0.0Ω 1/4W J	
DIODE				
D0391-92	UDZS10B-X	ZENER DIODE		
D0501-05	UDZS10B-X	ZENER DIODE		
D0507-09	UDZS10B-X	ZENER DIODE		
D0511	UDZS10B-X	ZENER DIODE		
D0515-19	UDZS10B-X	ZENER DIODE		
D0521	UDZS10B-X	ZENER DIODE		
D0527-28	UDZS10B-X	ZENER DIODE		

△ Symbol No.	Part No.	Part Name	Description	Local
TRANSISTOR				
Q0301-02	DTC124EKA-X	DIGI.TRANSISTOR		
Q0381-82	DTC124EKA-X	DIGI.TRANSISTOR		
Q0384-87	DTC323TK-X	DIGI.TRANSISTOR		
Q0453	2SC2412K/QR/-X	SI.TRANSISTOR		
Q0454	DTC124EKA-X	DIGI.TRANSISTOR		
Q0509	2SC2412K/QR/-X	SI.TRANSISTOR		

△ Symbol No.	Part No.	Part Name	Description	Local
IC				
IC0001	UPC1851BCU	I.C.(MONO-ANA)		
IC0151	NJM2150AD	I.C.(MONO-ANA)		
IC0371	BA15218N	I.C.(MONO-ANA)		
IC0381	TC4066BP/N/	I.C.(DIGI-MOS)		
IC0401	LA4485	I.C.(MONO-ANA)		
IC0501	CXA2089Q-X	I.C.(MONO-ANA)		

△ Symbol No.	Part No.	Part Name	Description	Local
OTHERS				
J0501	QNZ0454-001	PIN JACK		
J0502	QNN0349-001	PIN JACK		
J0503-04	QNN0348-001	PIN JACK		

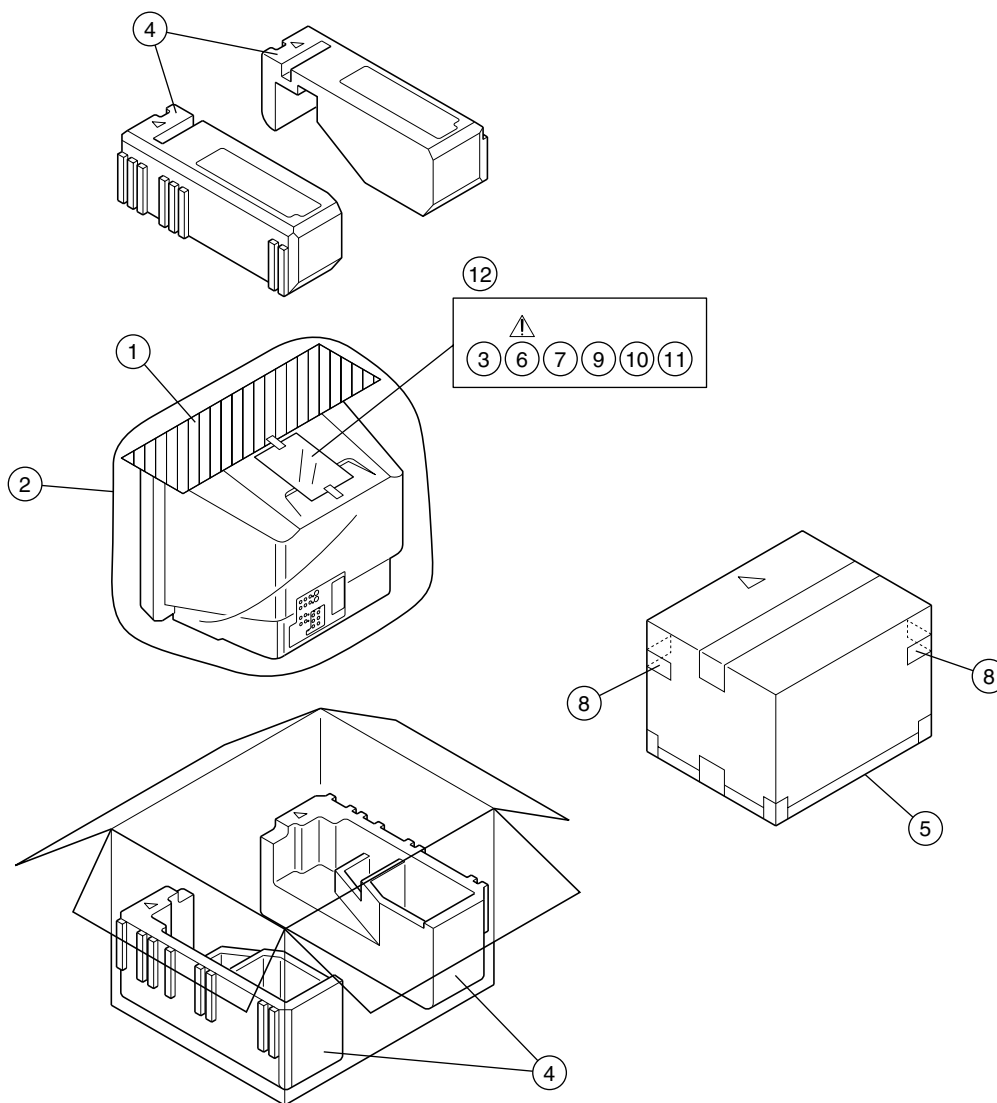
3D Y/C MODULE PW BOARD ASSY (SAC-0Y501A)

△ Symbol No.	Part No.	Part Name	Description	Local
OTHERS				
	SAC-0Y501A	3D Y/C MODULE		

REMOTE CONTROL UNIT PARTS LIST (RM-C301G-1A)

△ Ref.No.	Part No.	Part Name	Description	Local
	UR52EC1286C	BATTERY COVER		

PACKING



PACKING PARTS LIST

△ Ref.No.	Part No.	Part Name	Description	Local
1	CP30055-001-A	TOP COVER		
2	CP30056-008-A	POLY BAG		
3	RM-C301G-1A	RC HAND UNIT	4pcs in 1set	
4	LC10884-002A-A	CUSHION ASSY		
5	LC10181-025A-A	PACKING CASE		
△ 6	LCT0821-001A-A	INST BOOK	[ENGLISH]	
7	LCT0822-001A-A	SETUP GUIDE		
8	CM36616-001-A	CORNER LABEL	2pcs in 1set	
9	BT-51020-1Q	REGISTER CARD		
10	BT-20071B-Q	SVC CENTER LIST		
11	BT-52004-1Q	WARRANTY CARD		
12	QPA02503505	POLY BAG		